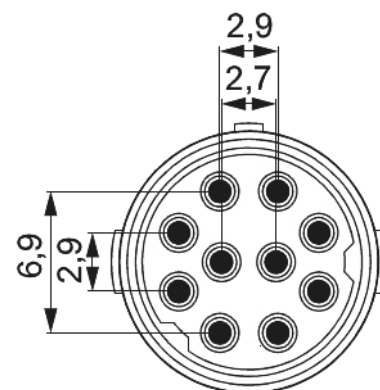
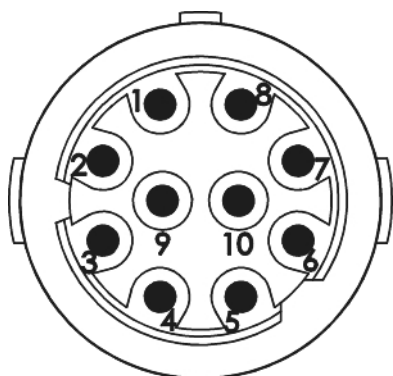


Contact insert M16 - 10-pole (solder in)

Item number 7001910108



Technical data

Characteristic of connection	Dip-solder (PCB)
Number of poles	10
Pole picture	10
Dip solder contacts length	10 mm
Insert	Socket
colour	white
Material insulating body	PA 6 , PBT
Number of contacts signal	10
Contact-Ø signal	1 mm
Nominal current signal	8 A
Nominal voltage at degree of pollution 3 signal	160 V~
Test voltage signal	1500 V~
Insulation resistance signal	> 10 ⁶ Ohm
max. contact resistance signal	3 mOhm
Degree of Protection	3



Contact insert M16 - 10-pole (solder in)

Item number 7001910108

Flammability

V-0 (UL 94)

Contact insert M16 - 10-pole (solder in)

Item number 7001910108

Commercial data

Packaging Unit	50
EAN code	4033878500385
Weight	0.00366 kg
ETIM 7	EC003557
eCl@ss 10.1	27440223
Customs tariff number	85366930

Note:

