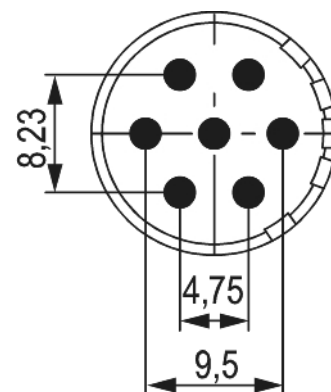
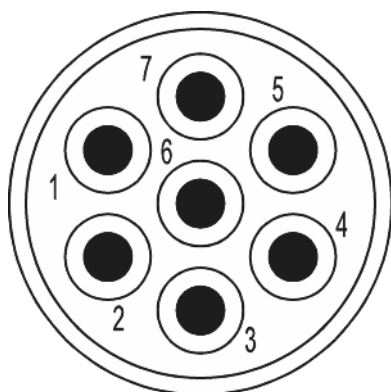


Contact insert M23 Signal - 7-pole

Item number 7003907102



Technical data

Characteristic of connection	Crimp
Number of poles	7
Pole picture	7
Insert	Socket
colour	white
Material insulating body	PA 6 , PBT
Number of contacts signal	7
Contact-Ø signal	2 mm
Nominal current signal	20 A
Nominal voltage at degree of pollution 3 signal	300 V~
Test voltage signal	2500 V~
Insulation resistance signal	> 10 ¹⁰ Ohm
max. contact resistance signal	3 mOhm
max. contact resistance power	3 mOhm
Degree of Protection	3

Contact insert M23 Signal - 7-pole

Item number 7003907102

Flammability	V-0 (UL 94)
Suitable Signal contacts	7010902002

Contact insert M23 Signal - 7-pole

Item number 7003907102

Commercial data

Packaging Unit	100
EAN code	4033878501306
Weight	0.00146 kg
ETIM 7	EC003557
eCl@ss 10.1	27440223
Customs tariff number	85472000

Note:

