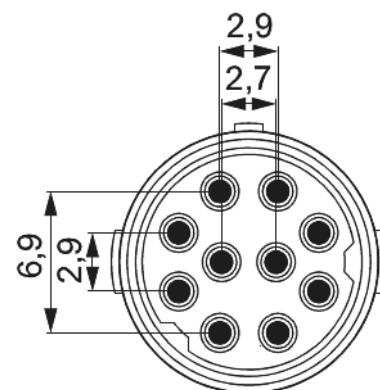
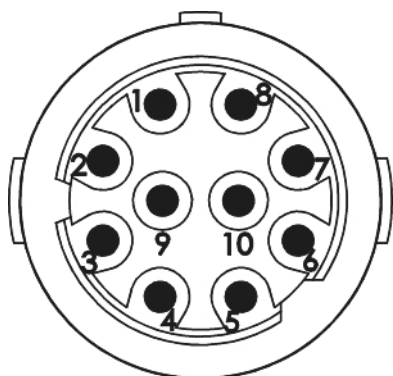


Contact insert M16 - 10-pole

Item number 7003910102



Technical data

Characteristic of connection	Crimp
Number of poles	10
Pole picture	10
Insert	Socket
colour	white
Material insulating body	PA 6 , PBT
Number of contacts signal	10
Contact-Ø signal	1 mm
Nominal current signal	8 A
Nominal voltage at degree of pollution 3 signal	160 V~
Test voltage signal	1500 V~
Insulation resistance signal	> 10 ⁶ Ohm
max. contact resistance signal	3 mOhm
Degree of Protection	3
Flammability	V-0 (UL 94)

Contact insert M16 - 10-pole

Item number 7003910102

Suitable power contacts

7010981002

Contact insert M16 - 10-pole

Item number 7003910102

Commercial data

Packaging Unit	100
EAN code	4033878501344
Weight	0.0025 kg
ETIM 7	EC003557
eCl@ss 10.1	27440223
Customs tariff number	85472000

Note:

