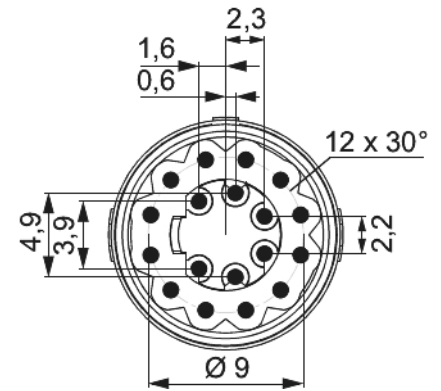
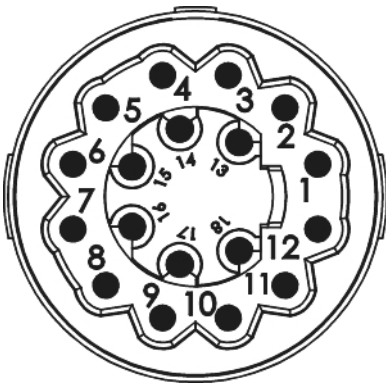


Contact insert M16 - 18-pole

Item number 7003988102



Technical data

Characteristic of connection	Crimp
Number of poles	18
Pole picture	12 + 6
Insert	Socket
colour	white
Material insulating body	PA 6 , PBT
Number of contacts signal	18
Contact-Ø signal	0.8 mm
Nominal current signal	3 A
Nominal voltage at degree of pollution 3 signal	1500 V~
Test voltage signal	1500 V~
Insulation resistance signal	> 10 ¹⁰ Ohm
max. contact resistance signal	3 mOhm
Degree of Protection	3
Flammability	V-0 (UL 94)

Contact insert M16 - 18-pole

Item number 7003988102

Suitable power contacts

7010980802

Contact insert M16 - 18-pole

Item number 7003988102

Commercial data

Packaging Unit	10
EAN code	4033878501610
Weight	0.00093 kg
ETIM 7	EC003557
eCl@ss 10.1	27440223
Customs tariff number	85472000

Note:

