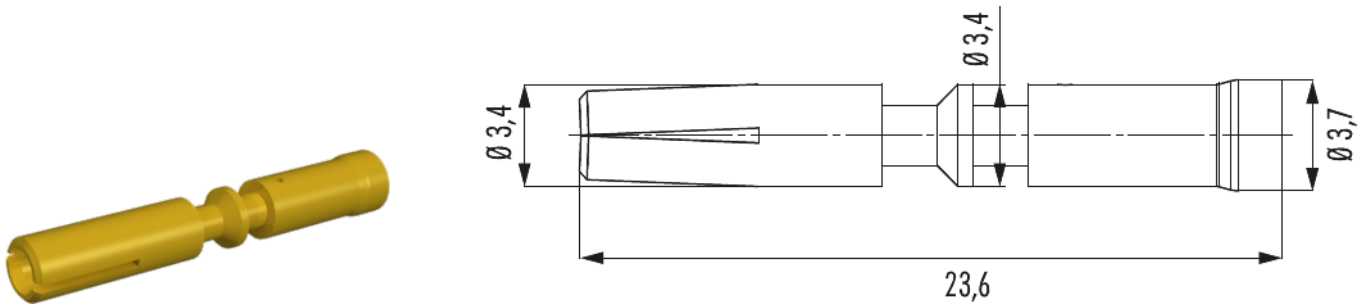


Contact M23 Power crimp socket 2 mm

Item number 7010942012



Technical data

Characteristic of connection	Crimp
Insert	Socket
Crimp contact	Crimp socket power 2 mm machined
Material contact	Copper-zinc alloy
Material contact surface	nickel, gold plated (0.25 µm)
Contact-Ø power	2 mm
Length (L)	23.6 mm
Contact-Ø crimping range	3.7 mm
Crimp range	2.5 - 4 mm ²
Suitable crimping tool	7000900901

Contact M23 Power crimp socket 2 mm

Item number 7010942012

Commercial data

Packaging Unit	100
EAN code	4033878502228
Weight	0.00092 kg
ETIM 7	EC000796
eCl@ss 10.1	27440204
Customs tariff number	85366990

Note:

