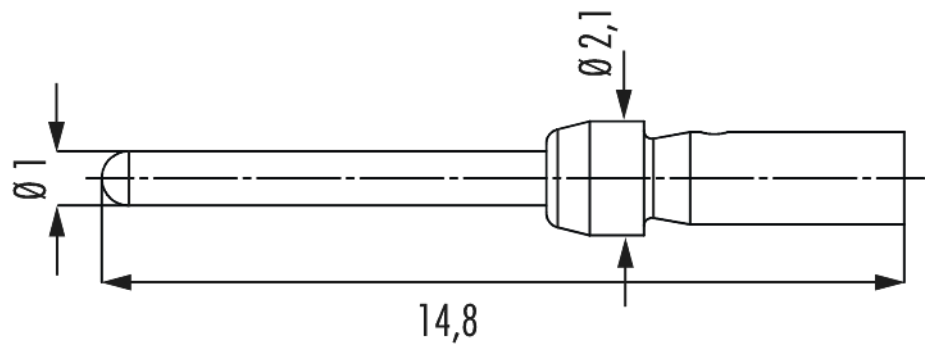


Contact M27 Signal crimp pin 1 mm

Item number 7010971001



Technical data

Characteristic of connection	Crimp
Insert	Pin
Crimp contact	Crimp pin signal 1 mm machined
Material contact	Copper-zinc alloy
Material contact surface	nickel, gold plated (0.25 μm)
Contact- \varnothing signal	1 mm
Length (L)	14.8 mm
Crimp range	0.14 - 0.56 mm ²
Suitable crimping tool	7000900901 , 7000900904

Contact M27 Signal crimp pin 1 mm

Item number 7010971001

Commercial data

Packaging Unit	100
EAN code	4033878502235
Weight	0.00045 kg
ETIM 7	EC000796
eCl@ss 10.1	27440204
Customs tariff number	85366990

Note:

